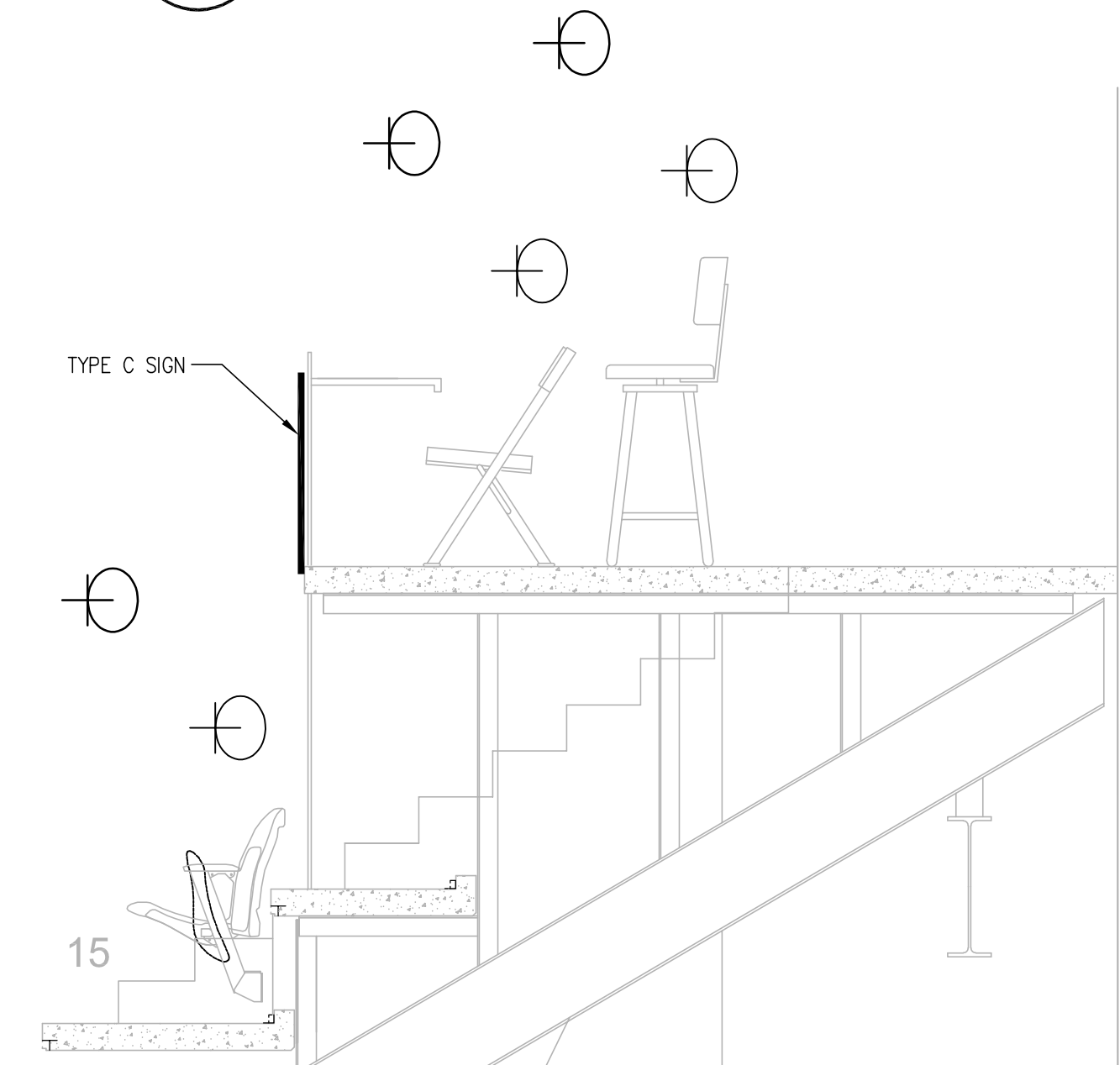
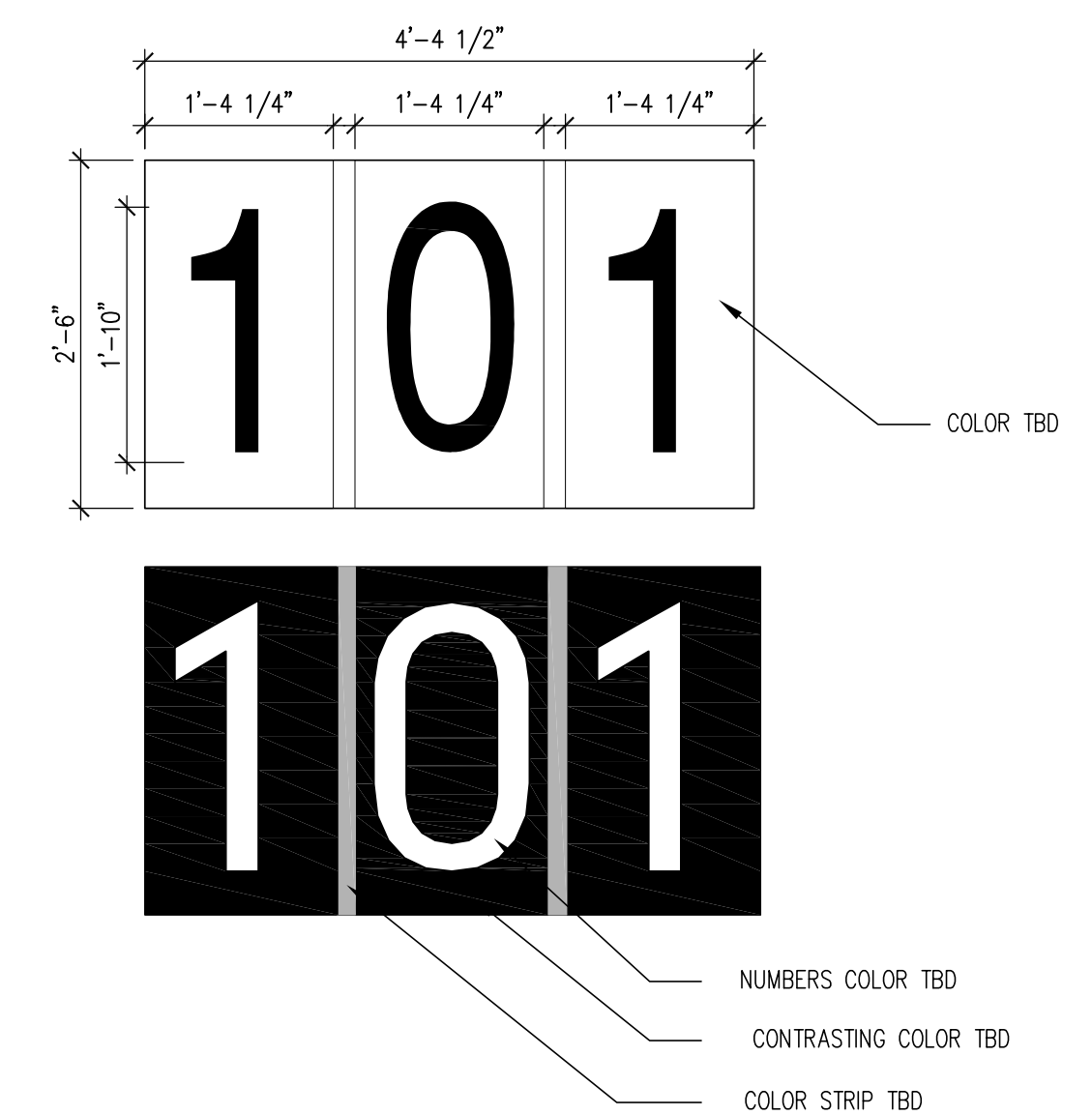


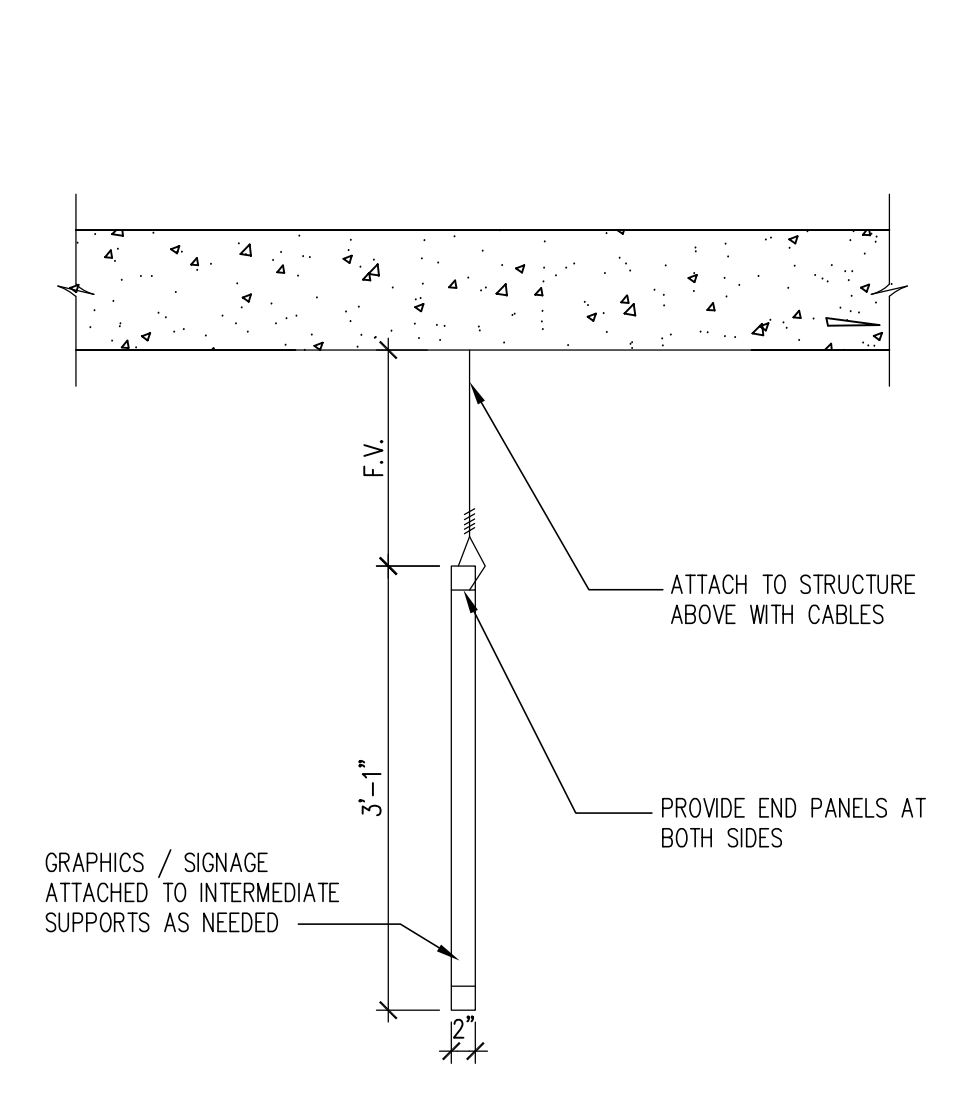
5 SIGN TYPE E: END OF SECTION SIGN



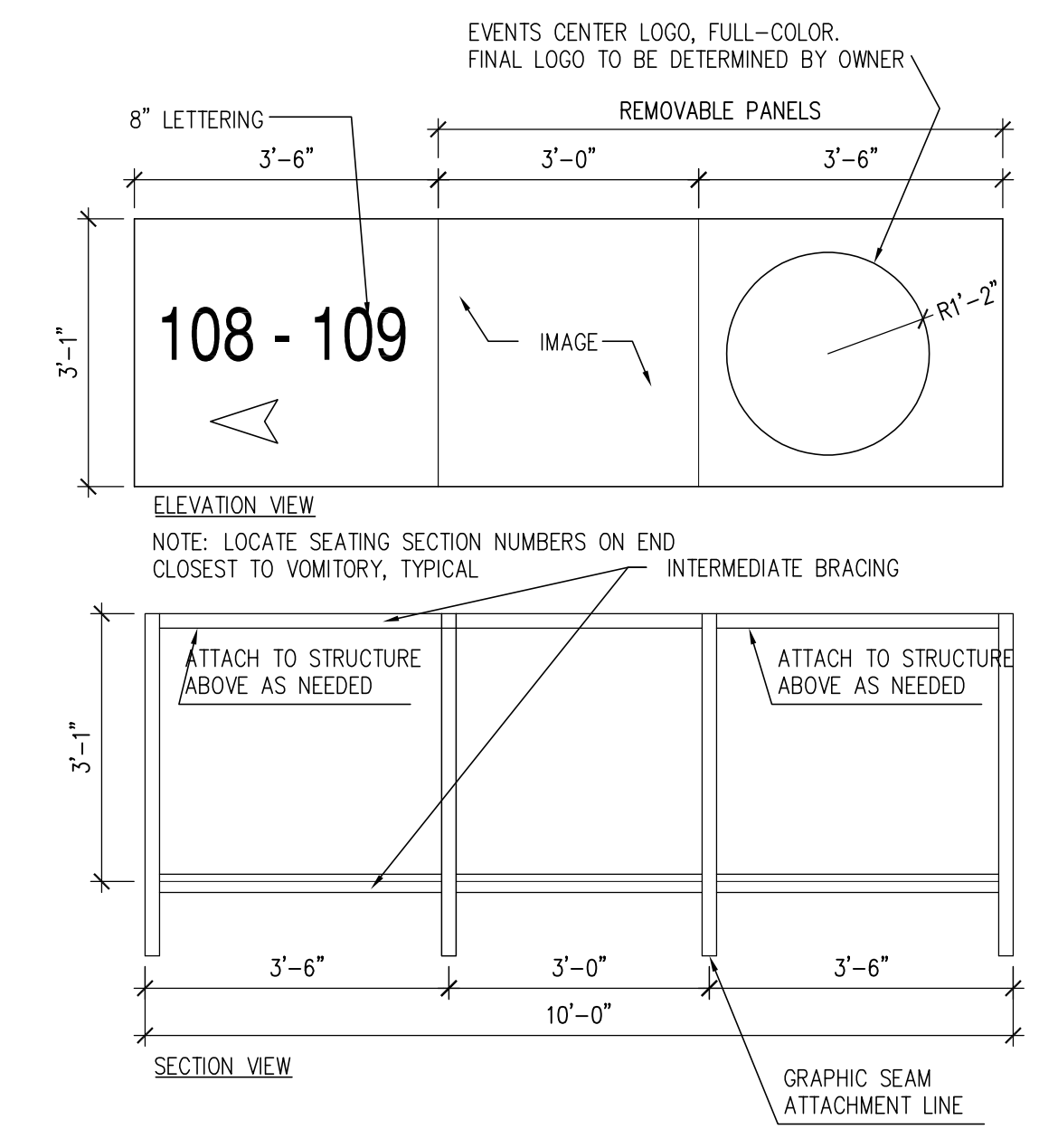
3 SIGN TYPE C: SECTION SIGNAGE



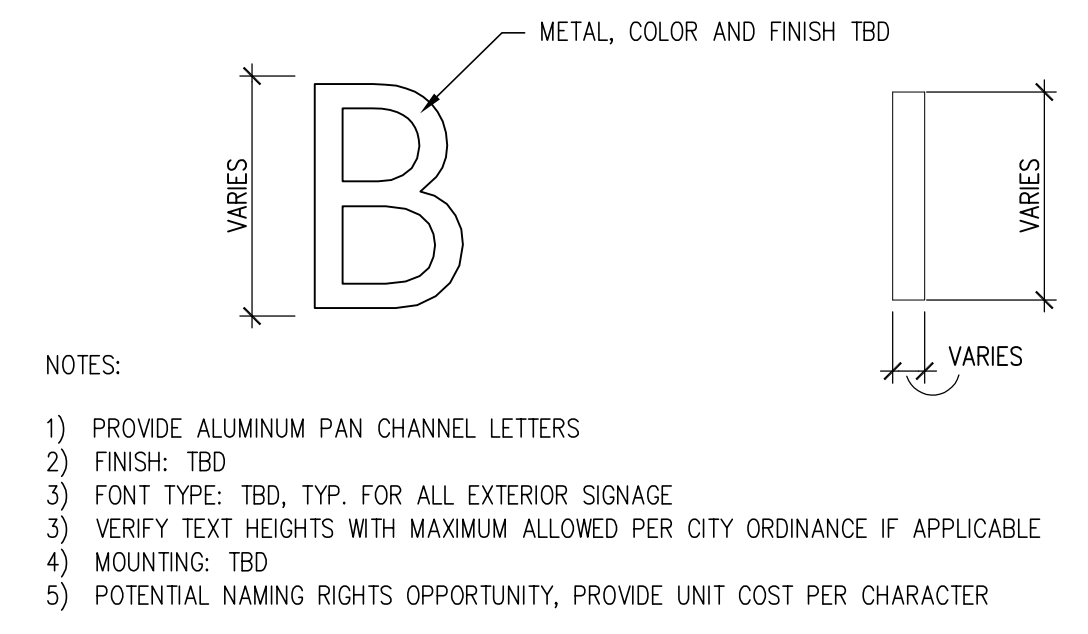
2 SIGN TYPE B: METAL LETTERS



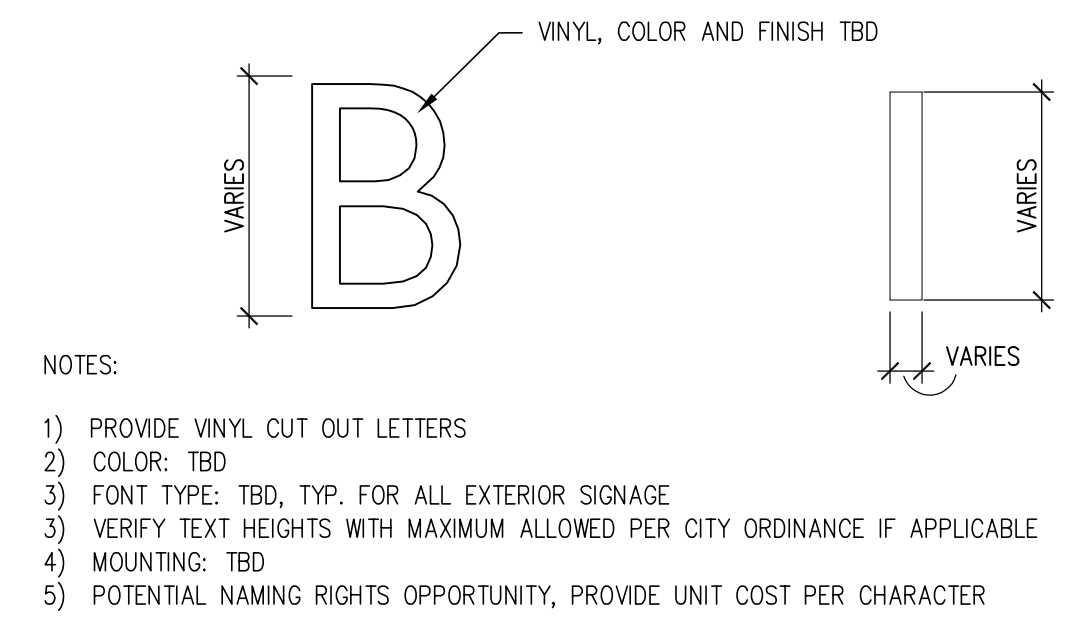
4 SIGN TYPE D: VOMITORY SECTION SIGN



1 SIGN TYPE A: VINYL LETTERS



- NOTES:
- 1) PROVIDE ALUMINUM PAN CHANNEL LETTERS
 - 2) FINISH: TBD
 - 3) FONT TYPE: TBD, TYP. FOR ALL EXTERIOR SIGNAGE
 - 3) VERIFY TEXT HEIGHTS WITH MAXIMUM ALLOWED PER CITY ORDINANCE IF APPLICABLE
 - 4) MOUNTING: TBD
 - 5) POTENTIAL NAMING RIGHTS OPPORTUNITY, PROVIDE UNIT COST PER CHARACTER



- NOTES:
- 1) PROVIDE VINYL CUT OUT LETTERS
 - 2) COLOR: TBD
 - 3) FONT TYPE: TBD, TYP. FOR ALL EXTERIOR SIGNAGE
 - 3) VERIFY TEXT HEIGHTS WITH MAXIMUM ALLOWED PER CITY ORDINANCE IF APPLICABLE
 - 4) MOUNTING: TBD
 - 5) POTENTIAL NAMING RIGHTS OPPORTUNITY, PROVIDE UNIT COST PER CHARACTER